

# MIUNN

Karri Monni | 2011





# MIUNN

**Karri Monni** | 2011

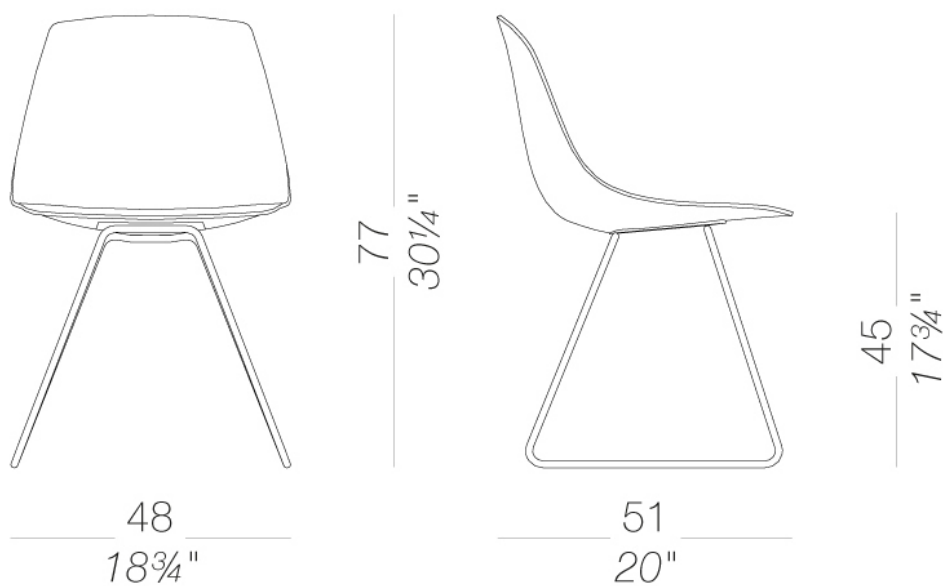
How does a perfect design originate, that sinuous line that supports and protects? It arises from observing the human body and the environment in which it moves. It is created by following the palm that holds river water and sand from a pure white beach. MIUNN, made of stainless steel and with a Baydur shell, is the hand that captures the beauty of nature. And like nature, this chair, also in a stool version, surprises us and gives us the energy of eternal spring.



## ES160 | outdoor chair slide-frame base

Chair with sled base in stainless steel 304 sandblasted or polyester powder coated. Shell in Baydur® fire retardant polyurethane white or black lacquered. Glides in polythene. It is complemented by a stool in two heights.

TEST EN 1728:2012 AC:2013 6.17 - EN 16139:2013 - L2 extreme

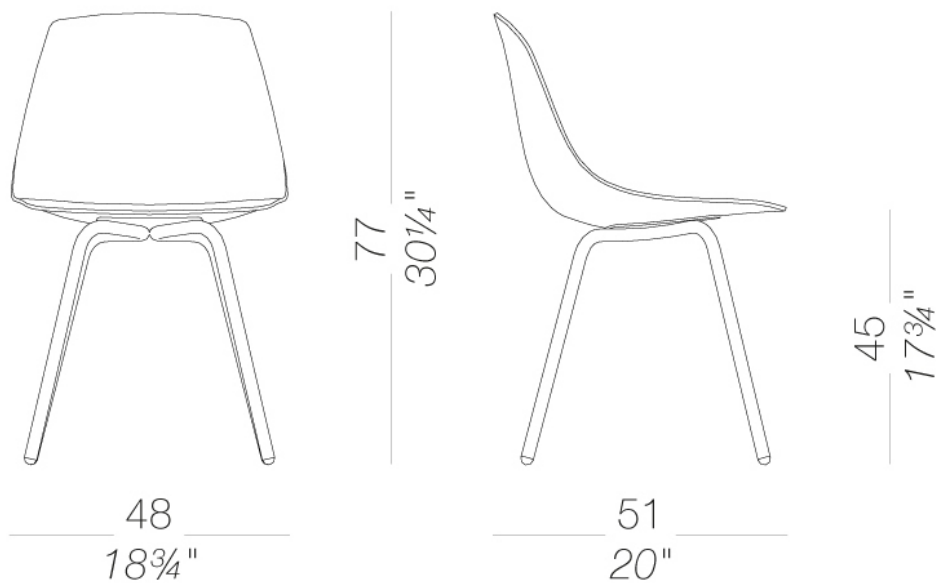


# MIUNN

Karri Monni | 2011

## ES161 | outdoor chair 4-legged ☀️

Chair with four legged base in stainless steel 304 or polyester powder coated. Shell in Baydur® fire retardant polyurethane white or black lacquered. Rounded glides in polythene. It is complemented by a stool in two heights.



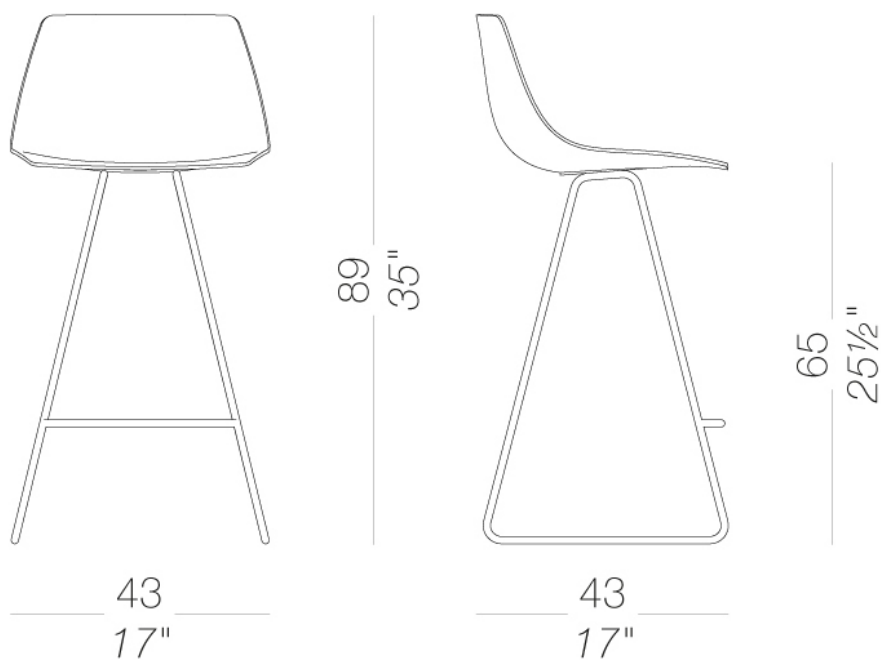
# MIUNN

Karri Monni | 2011

## ES104\_65 | outdoor stool with slide-frame base H65

Stool h.65 cm. with sled base in stainless steel rod 304 sandblasted or polyester powder coated. Seat formed of a single shell in fire-retardant Baydur® polyurethane white or black lacquered. Glides in polypropylene with insert in plastic.

TEST EN 1728:2012 AC:2013 6.4-6.5 - EN 16139:2013 - L2 extreme

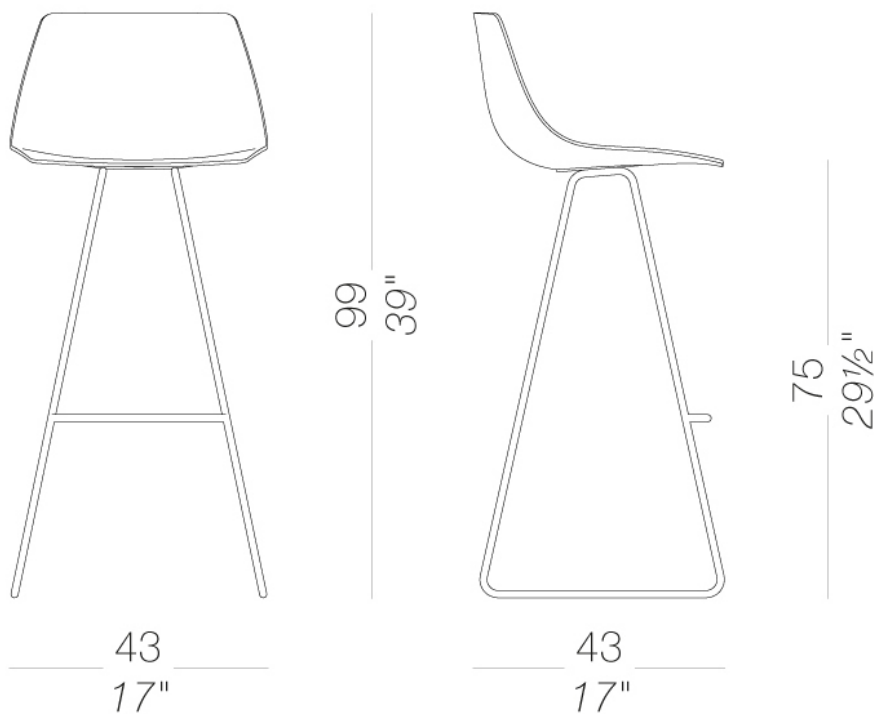


# MIUNN

Karri Monni | 2011

## ES104\_75 | outdoor bar stool with slide-frame base H75 ☀️

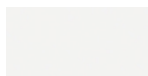
Stool h.75 cm. with sled base in stainless steel rod 304 sandblasted or polyester powder coated. Seat formed of a single shell in fire-retardant Baydur® polyurethane white or black lacquered. Glides in polypropylene with insert in plastic.



## frame



powder coating  
black  
1 Colors



powder coating  
white  
1 Colors

## shell



plastics  
Baydur®  
2 Colors

## consult the folder of materials for the range of colors

### use and maintenance instructions

Plastic materials, even if intended for outdoor use, may still be attacked over time by particular atmospheric pollutants (e.g. acid rain, high concentration of PM10, nitrogen oxides, hydrocarbons, etc.). Any changes in the surface and in colours may therefore occur under particular conditions of exposure and cannot be considered grounds for any claims.

Do not use detergents containing bleach, hydrochloric acid or products containing chloride on any metal parts. Salt, limescale or acid (from coffee, wine, orange juice, tomato juice, lemon, etc.) may discolour stainless steel parts if they are not promptly cleaned. Products or parts made of stainless steel used near the sea or in interior fittings of swimming pools require more frequent cleaning to remove chloride deposits and prevent corrosion and chemical attack of the external surface. Stains on stainless steel surfaces must be promptly cleaned. If left for a long time they can become permanent.

To prolong the life of the product, clean the surfaces regularly, dry them with a clean cloth and remove any stagnant water, especially if exposed in locations with a high level of humidity or a marine climate.

When not in use, we recommend storing in sheltered places and covering with waterproof protection. In this case, it is advisable to remove the cover and ventilate the product frequently and regularly to avoid the onset of any mould or stains due to damp.

THE WARRANTY WILL NOT COVER DEFECTS OR IMPERFECTIONS RESULTING FROM THE PASSAGE OF TIME OR TO WEAR AND TEAR DUE TO THE NORMAL USE OF THE PRODUCT.