

MIUNN

Karri Monni | 2011



MIUNN

Karri Monni | 2011

When minimalism embraces. It involves technology and the 3D processing of a wood sheet. It involves a hand that designs, thinking of itself, of the palm that holds water and sand. The result is the sinuous MIUNN, with its embracing seat and perfect support for the back. Available in a chair or stool version, it comes in different heights. Peacefully, just as it was designed.



MIUNN

Karri Monni | 2011

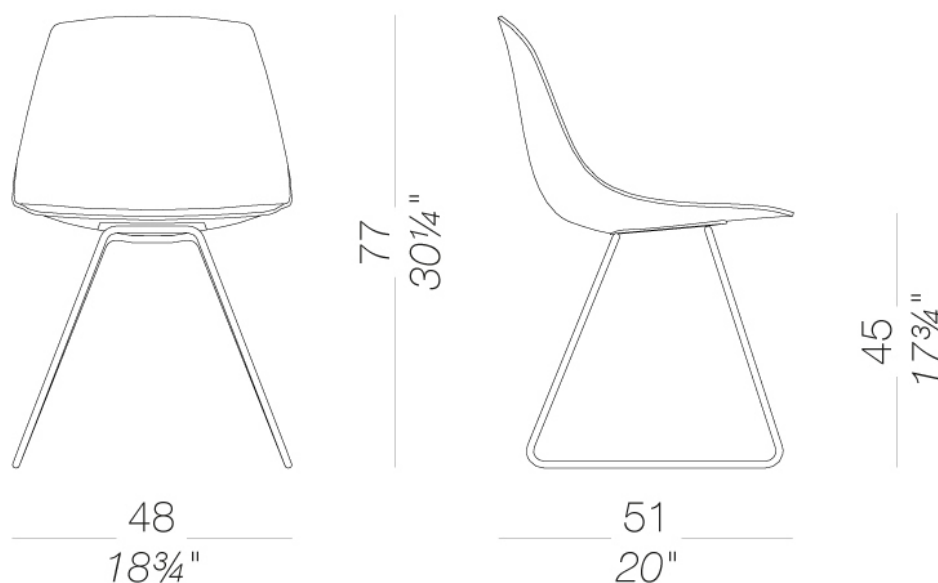


| S160 slide-frame base

Chair with sled base in mat chromed steel or powder coated. Shell in 3D moulded plywood in several finishes, or in Baydur® fire retardant polyurethane white or black or fully upholstered with fabric or leather. Glides in polythene. It is complemented by a stool in two heights or height adjustable.

TEST EN 1728:2012 AC:2013 6.17 - EN 16139:2013 - L2 extreme

TEST 1 IM - Hallingdal



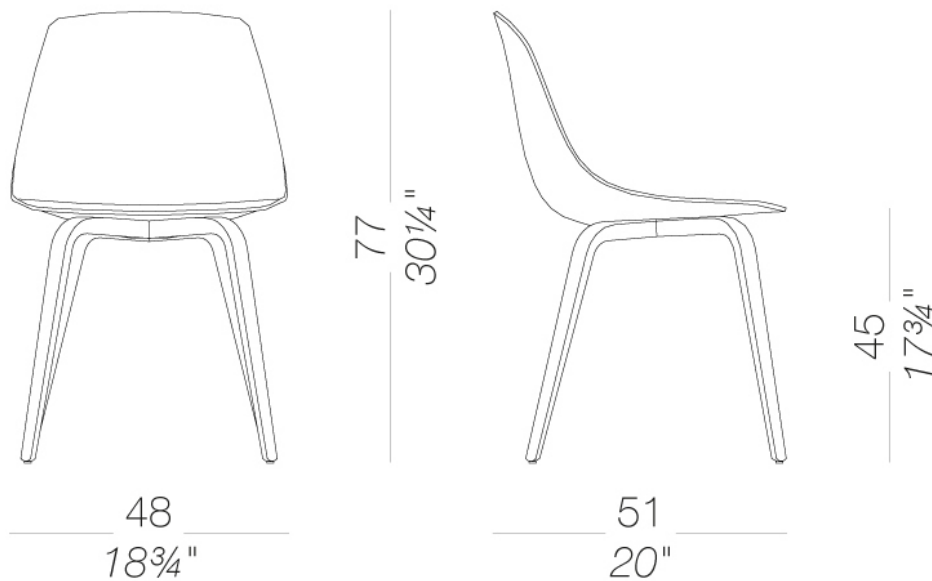
MIUNN

Karri Monni | 2011

| S164 With four wood legs

Chair with plywood legs and shell in 3D moulded plywood in several finishes, or in Baydur® fire retardant polyurethane white or black or fully upholstered with fabric or leather. Glides in nylon with felt. It is complemented by a stool in two heights or height adjustable.

TEST 1 IM - Hallingdal



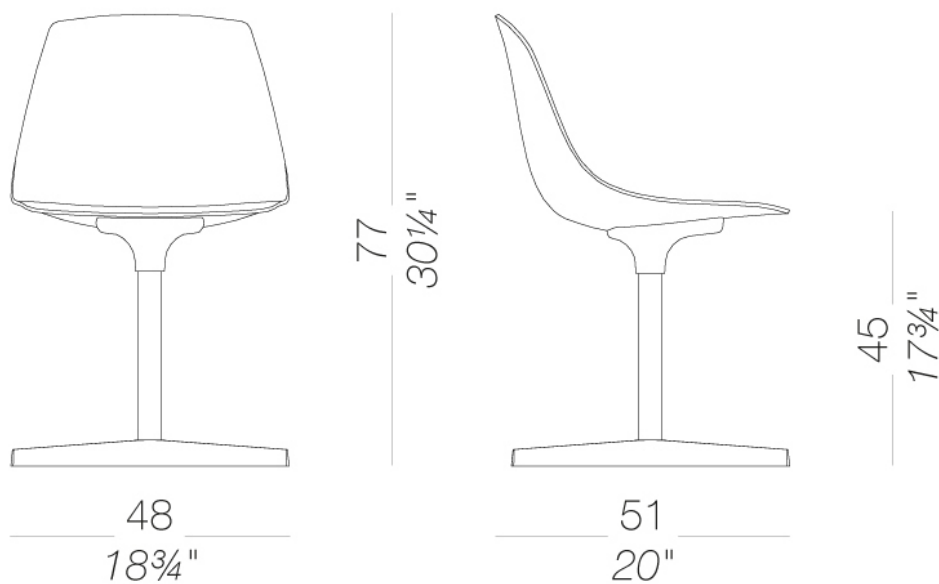
MIUNN

Karri Monni | 2011

| S162 Star-shaped swivel base

Chair with swivel star base in sandblasted aluminium or powder coated. Shell in 3D moulded plywood in several finishes, or in Baydur® fire retardant polyurethane white or black or fully upholstered with fabric or leather. Glides in polythene. It is complemented by a stool in two heights or height adjustable.

TEST 1 IM - Hallingdal



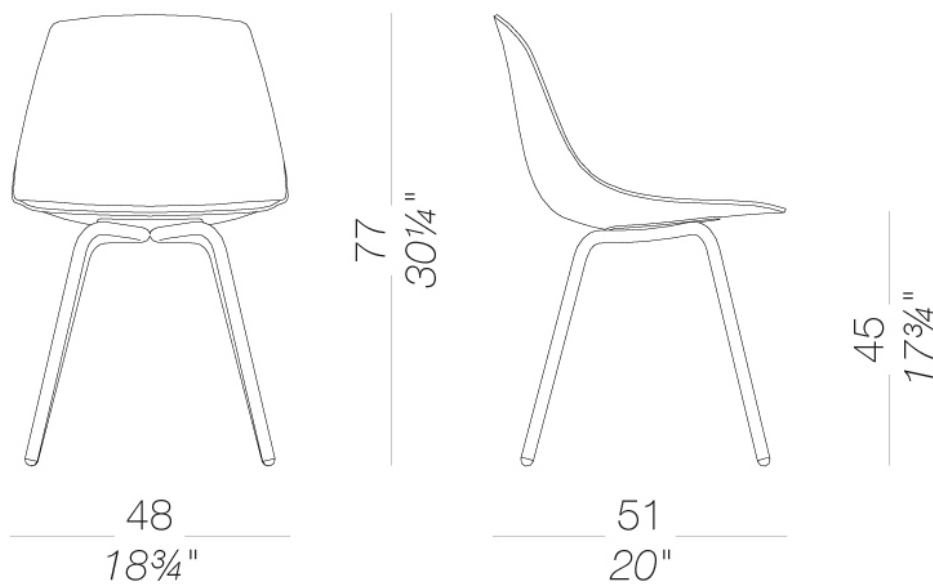
MIUNN

Karri Monni | 2011

| S161 4-legged

Chair with four legged base in mat chromed steel or powder coated. Shell in 3D moulded plywood in several finishes, or in Baydur® fire retardant polyurethane white or black or fully upholstered with fabric or leather. Glides in polythene. It is complemented by a stool in two heights or height adjustable.

TEST 1 IM - Hallingdal



MIUNN

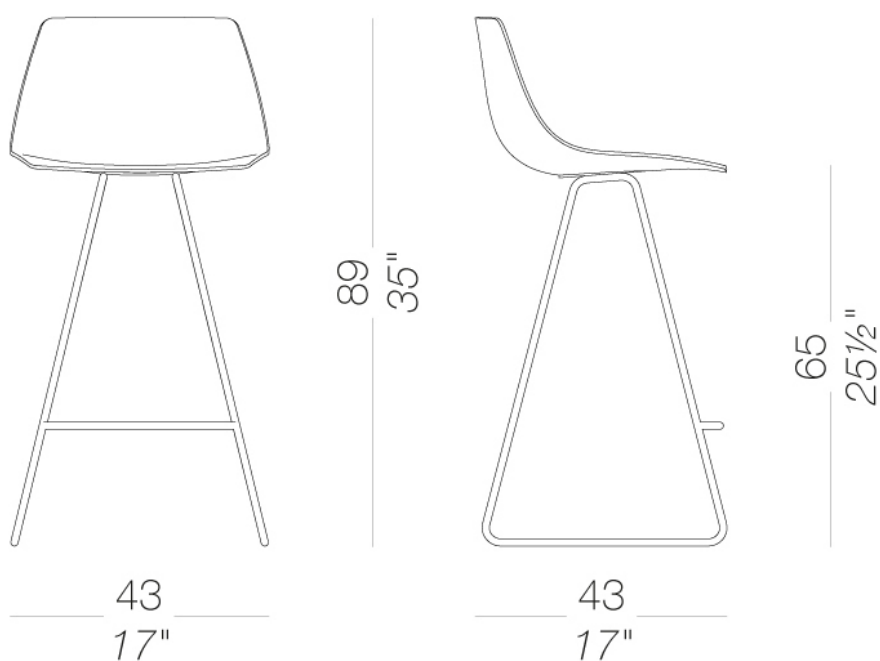
Karri Monni | 2011

| S104_65 counter stool with slide-frame base H65

Stool h.65 cm. with sled base in steel rod either mat chromed or powder coated. Seat formed of a single shell using 3D plywood moulding technology in several wood finishes, or in fire-retardant Baydur® polyurethane white or black lacquered or totally upholstered with fabric, leather or eco-leather. Glides in polypropylene with insert in felt or plastic.

TEST EN 1728:2012 AC:2013 6.4-6.5 - EN 16139:2013 - L2 extreme

TEST 1 IM - Hallingdal



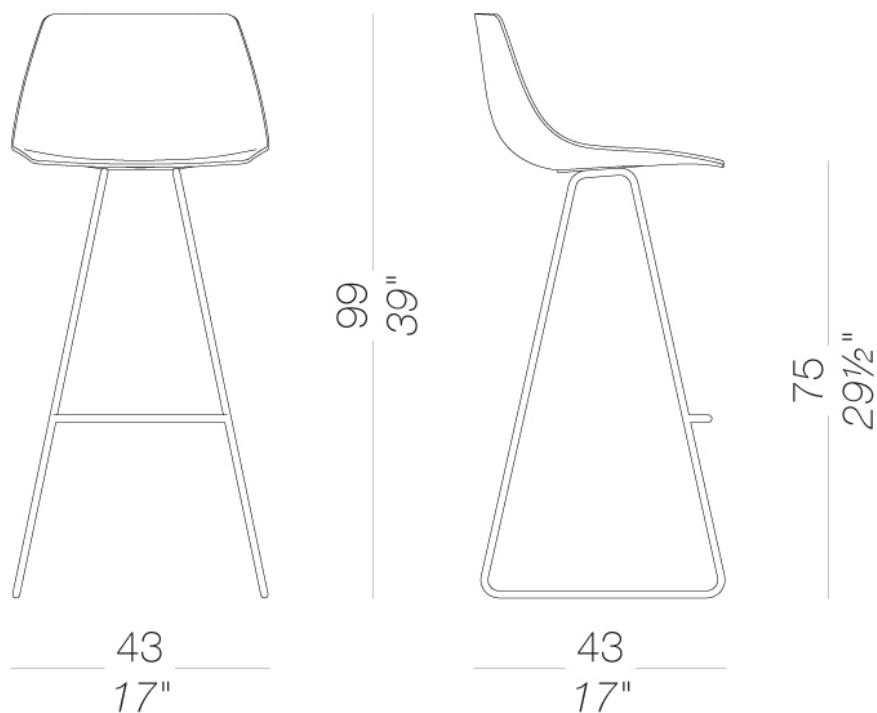
MIUNN

Karri Monni | 2011

| S104_75 bar stool with slide-frame base H75

Stool h.75 cm. with sled base in steel rod either mat chromed or powder coated. Seat formed of a single shell using 3D plywood moulding technology in several wood finishes, or in fire-retardant Baydur® polyurethane white or black lacquered or totally upholstered with fabric, leather or eco-leather. Glides in polypropylene with insert in felt or plastic.

TEST 1 IM - Hallingdal



MIUNN

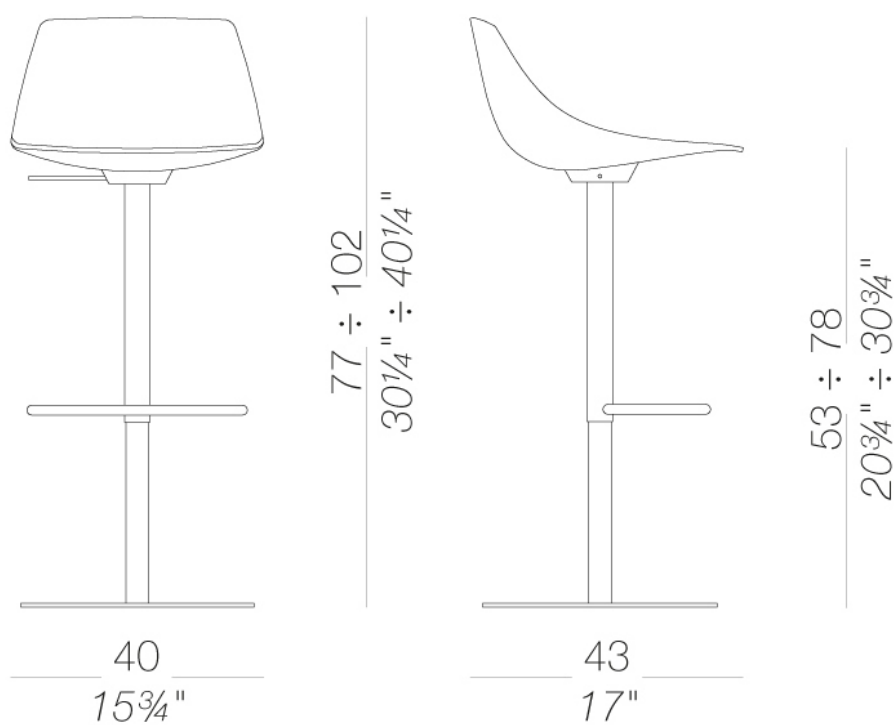
Karri Monni | 2011

| S104T Height-adjustable piston stool with round base H53 ÷ 78

Stool with swivel seat and adjustable height. Frame in sandblasted stainless steel Aisi304 and round base covered by a stainless steel sheet "linen fabric" pattern or entirely powder coated. Seat formed of a single shell using 3D plywood moulding technology in several wood finishes, or in fire-retardant Baydur® polyurethane white or black lacquered or totally upholstered with fabric, leather or eco-leather. Felt under the base.

TEST EN 15373:2007 - L3 severe

TEST 1 IM - Hallingdal



MIUNN

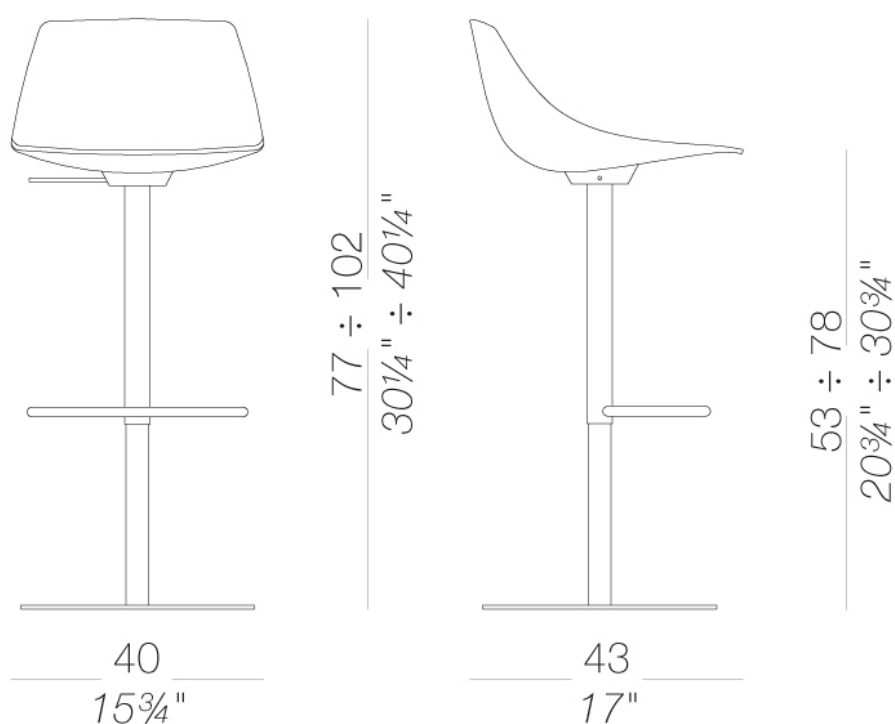
Karri Monni | 2011

| S104 height-adjustable piston stool with square base H53 ÷ 78

Stool with swivel seat and adjustable height. Frame in sandblasted stainless steel Aisi304 and square base covered by a stainless steel sheet "linen fabric" pattern. Seat formed of a single shell using 3D plywood moulding technology in several wood finishes, or in fire-retardant Baydur® polyurethane white or black lacquered or totally upholstered with fabric, leather or eco-leather. Felt under the base.

TEST EN 15373:2007 - L3 severe

TEST 1 IM - Hallingdal



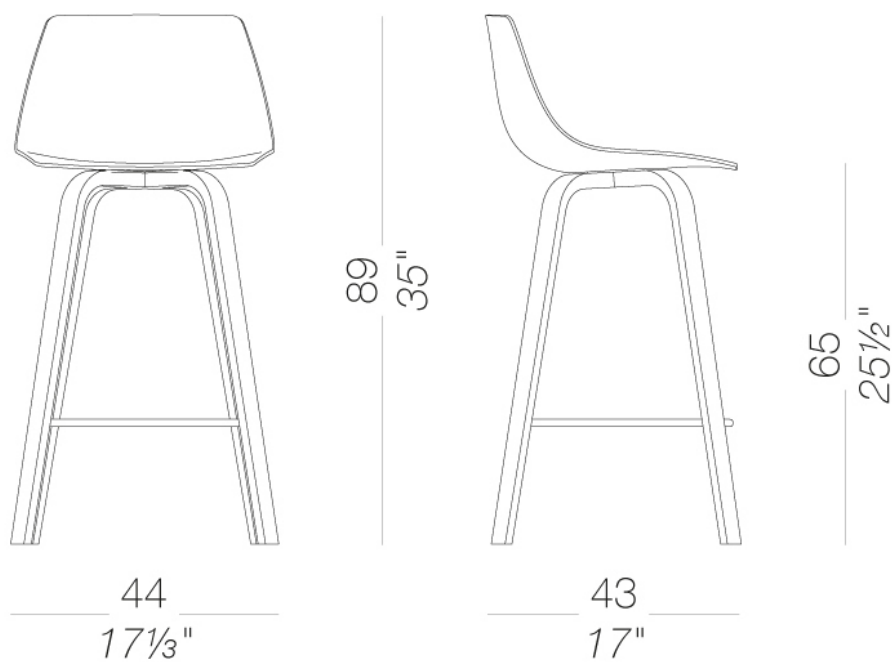
MIUNN

Karri Monni | 2011

| S105_65 counter stool with wood legs H65

Stool h.65 cm. with legs in moulded plywood blanché oak or black stained and foot rest in steel rod mat chromed. Seat formed of a single shell using 3D plywood moulding technology in several wood finishes, or in fire-retardant Baydur® polyurethane white or black lacquered or totally upholstered with fabric, leather or eco-leather. Feet in nylon with felt.

TEST 1 IM - Hallingdal



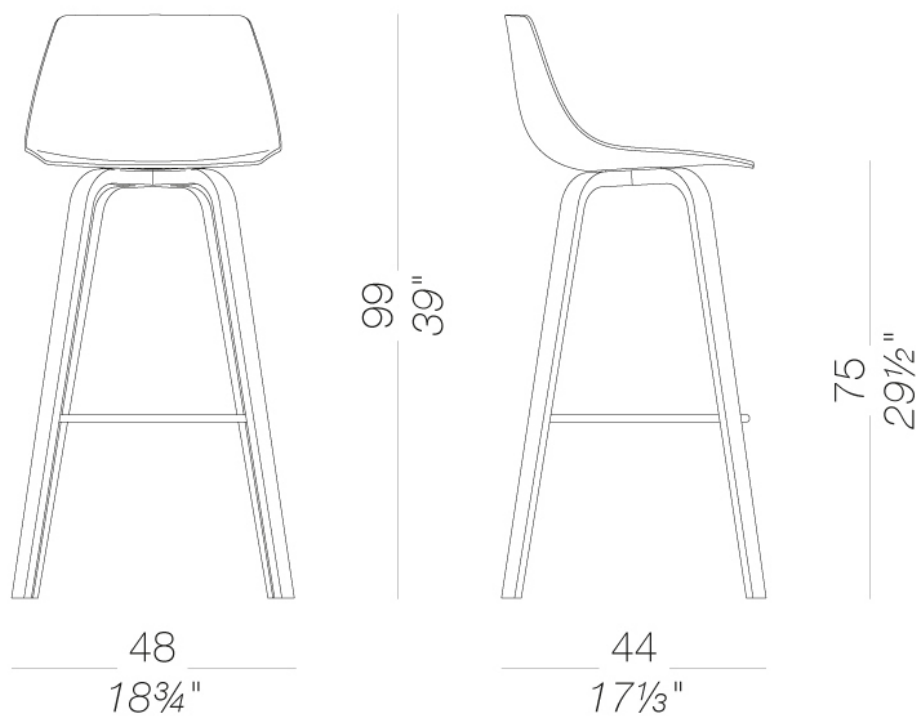
MIUNN

Karri Monni | 2011

| S105_75 bar stool with wood legs H75

Stool h.75 cm. with legs in moulded plywood blanché oak or black stained and foot rest in steel rod mat chromed. Seat formed of a single shell using 3D plywood moulding technology in several wood finishes, or in fire-retardant Baydur® polyurethane white or black lacquered or totally upholstered with fabric, leather or eco-leather. Feet in nylon with felt.

TEST 1 IM - Hallingdal



MIUNN

Karri Monni | 2011

frame



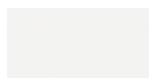
wood
blanchet oak
1 Colors



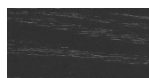
powder coating
black
1 Colors



metal
stainless steel
1 Colors



powder coating
white
1 Colors



wood
black open pore
1 Colors



metal
mat chromed
1 Colors



metal
aluminium
1 Colors

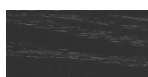
shell



plastics
Baydur@
2 Colors



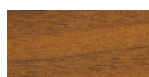
wood
blanchet oak
1 Colors



wood
black open pore
1 Colors



wood
oak dark walnut
1 Colors



wood
Canaletto walnut
1 Colors

upholstery



fabric
Hallingdal 65
58 Colors



fabric
Canvas 2
45 Colors



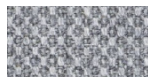
fabric
Steelcut Trio 3
54 Colors



fabric
Remix 3
72 Colors



fabric
Clara 2
24 Colors



fabric
Fiord 2
39 Colors



fabric
Divina MD
27 Colors



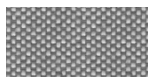
fabric
Divina Melange 3
38 Colors



fabric
Tonica 2
39 Colors



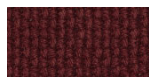
fabric
Medley
37 Colors



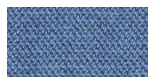
fabric
Maya
43 Colors



fabric
Jet
66 Colors



fabric
Lapalma Smart
18 Colors



fabric
Capture
43 Colors



fabric
Crisp
40 Colors



fabric
Nattè
28 Colors



fabric
Iris
24 Colors



fabric
Steelcut 3
40 Colors



leather
leather
7 Colors



ecoleather
GRIMM FR
24 Colors



ecoleather
Valencia
59 Colors

consult the portfolio for the range of colors, fabrics, eco-leather, soft-leather.

use and maintenance instructions

Clean all parts in wood, leather, fabric and metal with a damp cloth or a diluted neutral cleaner. Do not use cleaners with alcohol, bleach, solvent or abrasive products. Any liquid spilt on the product must be wiped up immediately. When lifting or moving the product, hold it on the structure and not under the seat. The product should not be subjected to unbalanced weights, as it is designed for a proper rest on the foothold (on four legs or on the base). Our company relieves from any responsibility in case of damage caused to fragile floors. Avoid any improper use of the product: do not step on the product, on the footrest or on the armrests. Avoid any movements that could compromise the proper functionality of the product or the safety of the users. Wood and leather, being natural materials, could be easily damaged. Small impurities or imperfections are within quality standard range. Do not expose the product to weather conditions or atmospheric agents, nor to heat sources over 40°C. Also products for outdoor use could be afflicted by atmospheric agents. The product could undergo possible exterior changes due to particular exposure to heat, humidity and saltiness. An appropriate and frequent maintenance and cleaning of the product enhances its durability. The product could change colour and shade, if exposed to direct sunlight. Maintenance has to be carried out by experienced staff. Dispose of the package only after assembling the product, in order to avoid the loss of ironmongery and components. Once the product has been dismantled, the product itself or its components must be given to the public garbage disposal system, according to the legislation in force.